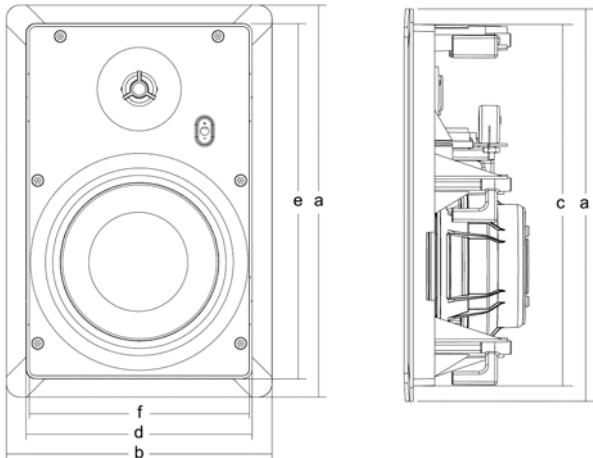


## Technical Specifications IW 17

Principle:	2-way
Sensitivity (2.83 V/1 m):	88 dB
IEC Long Term Power Handling:	100 watts
Impedance, Nominal:	4 – 6 ohms
Frequency Response: ( $\pm 3$ dB)	45 Hz – 25 kHz
Dimensions (W x H):	195 x 289 mm (7.68" x 11.38")
Weight:	1.7 kg
Recommended Placing:	In-Wall
Remarks:	<ul style="list-style-type: none"> <li>• 21 mm soft dome tweeter, 16.5 cm MSP woofer</li> <li>• audiophile grade crossover</li> <li>• adjustable tweeter level, <math>\pm 2</math> dB</li> </ul>



Aluminium mounting frame:	a	Height:	289 mm (11.38")
	b	Width:	195 mm (7.68")
Cut Out:	c	Height:	267 mm (10.51")
	d	Width:	166 mm (6.54")
Grille:	e	Height:	262 mm (10.31")
	f	Width:	162 mm (6.38")
Minimum depth required:			105 mm (4.13")